

Twin WAN Router Setup Tutorials

By WINS International LLC, dba XiNCOM – Client Care Center

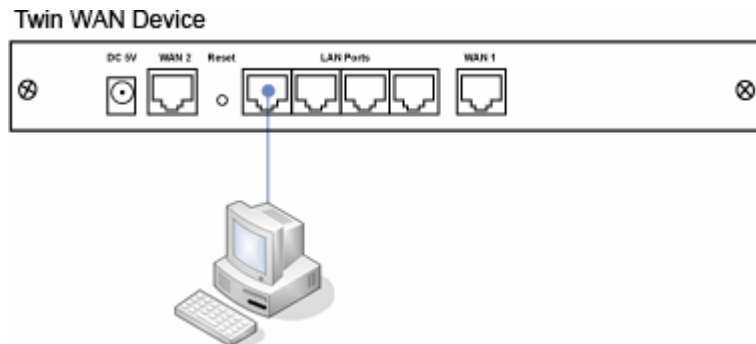
Basic Configuration Guide – WAN Setup

Configuring your Twin WAN device with two broadband connections

Use this guide after configuring your Twin WAN device for your LAN (See Basic Configuration Guide – LAN Setup). Follow the instructions below to configure the Twin WAN device for your broadband connections:

Step 1* – Log into the Twin WAN Device

With a single PC connected to the Twin WAN device, log into the console interface with any Internet web browser using the device's IP address (Default IP Address – 192.168.1.1). The device's console interface may prompt you for a user name and password. Input your user name (default: *admin*) and password (by default no passwords are set).



Note

*Before you begin, it is recommended that you disconnect and turn off all **other** networking equipment (hubs, switches, broadband modems, etc.).*

Skip **Step 1 if you have already logged into the console interface of the Twin WAN device. Ensure that only one PC is connected to the Twin WAN device before proceeding to **Step 2**.*

Twin WAN Router Setup Tutorials

By WINS International LLC, dba XiNCOM – Client Care Center

Step 2 – Setting up the Twin WAN device for broadband use

In the navigation bar of the console interface, click on *Basic Setup* and select the *Primary Setup* sub-menu. The *Primary Setup* console will display configurable parameters for the Twin WAN device's two WAN ports. Under *Connection Mode*, select the appropriate mode for your broadband services: Enable, Disable, and Backup.

- **Enable**
Select this if you plan to connect a broadband modem to this port.
- **Disable**
Select this if you do not plan to use a broadband modem on this port.
- **Backup**
When selecting a connection for *Backup* mode, the status of that connection will stay disconnected until the primary connection fails (Automatic Failover).

Example 1 – One Broadband Connection on WAN 1

Select the *Enable* option for WAN 1. Set the WAN 2 port to *Disable*.

Example 2 – Two Broadband Connections (Redundancy Only)

Enable WAN 1 for the broadband service that will serve as the primary connection for your network. Set the WAN 2 port to *Backup* for the broadband service you plan to use as a backup connection. This permits the Twin WAN device to use the automatic failover service for your network. In the event the primary connection fails on WAN 1, the secondary broadband connection on WAN 2 will become active and continue to serve your network with broadband connectivity.

Example 3 – Two Broadband Connections (Full Load Balancing & Redundancy)

Enable both WAN ports. This configuration will use both broadband connections concurrently for full load balancing and automatic failover services.

*Further steps are required to configure the Twin WAN device for load balancing. See **Basic Configuration Guide – Load Balancing Setup**.*

Twin WAN Router Setup Tutorials

By WINS International LLC, dba XiNCOM – Client Care Center

Step 3 – Select Broadband connection type

Under *Connection Type* in the *Primary Setup* console, select the type of connection method your broadband services use: Static IP, Dynamic IP, or PPPoE.

Static IP Connection

Some broadband Internet Service Providers assign a fixed or static IP address to their subscribers. Select this connection type if your ISP has provided a fixed or static IP address and then enter the data provided by your ISP into the **Address Info*** fields below. At least one DNS needs to be specified in the DNS fields below.

Dynamic IP Connection

Some broadband Internet Service Providers assign an IP address automatically when you connect to the Internet. No other parameters for this connection type require additional user input. Entering a DNS (Domain Name Server) for a dynamic IP connection is optional.

PPPoE Connection

Some broadband Internet Service Providers use the PPPoE connection method for their subscribers. Select this if your ISP uses this method (PPPoE software that is usually provided by your ISP is not required to be used when selecting this method). If this method is selected, you must complete the required PPPoE dialup fields below.

When all required information has been inputted, click on the **Submit** button at the bottom of the *Primary Setup* console page and the Twin WAN device will apply all settings.

**Address Info –*

This primarily applies to Static IP connection types. Enter the address information provided by your ISP. If your ISP provided multiple IP addresses, you can use the Multi-DMZ screen to assign the additional IP addresses.

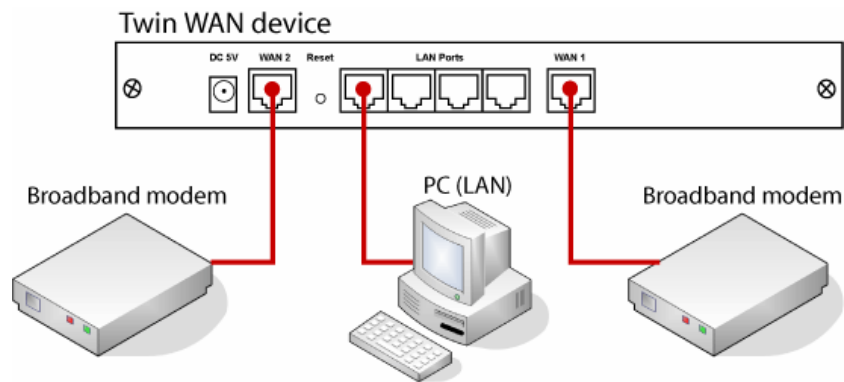
Twin WAN Router Setup Tutorials

By WINS International LLC, dba XiNCOM – Client Care Center

Step 4 – Connecting your broadband modems

After the Twin WAN device has been configured for your broadband connections, complete the following instructions:

- A. Without power cycling your broadband modems, connect a CAT-5 Ethernet cable into your modems' Ethernet ports and the appropriate WAN ports in the router's rear panel (see diagram below).



- B. Power cycle your broadband modems and allow them complete their boot sequence.
- C. Open a command prompt and ping a public IP address (*e.g. www.google.com, www.yahoo.com, etc.*) to verify packets are successfully being sent from your network to the public IP address. If successful, your network is now configured for Internet access.

Step 5 – Connecting your network devices

Connect any additional hubs, switches, and other networking devices to the Twin WAN device.